

# PF 67.000 SL

## ECOOL SLIM LINE FILTERFAN 705–725 m<sup>3</sup>/h

Pfannenbergs 4th Generation filterfan with low installation depth

- installation size 6, air flow rate up to 725 m<sup>3</sup>/h
- three performance classes, cut-out compatible
- system of protection IP 55, NEMA type 12
- UL, cUL approval
- UV-resistance (IP 55 version, RAL 7035)



PRODUCT		PF 67.000 SL			
ARTICLE NO.	IP 55	11677023055	11677103055	11677153055	Unit

**DATA**

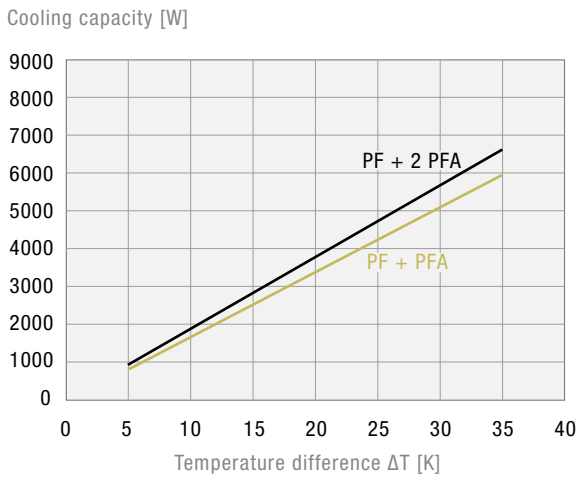
Rated voltage ±10 %	AC 50   60 Hz			
	400 3~   460 3~	230	115	V
Unimpeded airflow	705   725			m <sup>3</sup> /h
Airflow rate in combination with exhaust filter	530   580			
Power consumption	110   165	115   165	120   165	W
Current consumption	0.2   0.23	0.51   0.70	1.05   1.45	A
Noise level according to EN ISO 3741	66   69			dB (A)
Weight	3.85	4.05	4.00	kg
Type of connection	screw terminal			
Fuse	6			A
System of protection according to EN 60529 / UL 50	NEMA type 12 - fluted filter			
Filtration efficiency	91			%
Filter mat quality class according to EN 779	G 4			
Duty cycle	100			%
Bearing type	ball bearing			
Service life L <sub>10</sub> (+ 40 °C) <sup>1</sup>	40000			h
Temperature range	-40 ... +55   -40 ... +131			°C   °F
Design (housing and protection against accidental contact)	made of injection-moulded thermoplastic, self-extinguishing, UL 94 V0, UV-resistant			
Colour	RAL 7035   different colours available on request			

ACCESSORIES		ARTICLE NUMBER
Exhaust filter		11760003055
Spare filter mats	5 pieces	18611600037
Thermostat		17121000000
Hygrostat		17207000000
Rainhood in stainless steel		18102000020

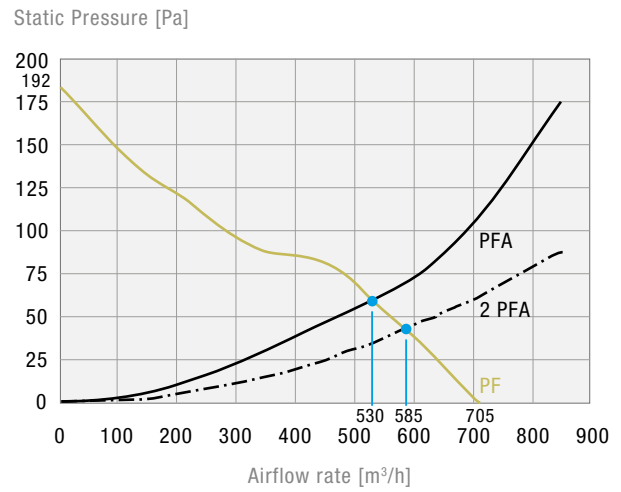
For additional models, options and voltages visit [www.pfannenbergs.com](http://www.pfannenbergs.com) or contact us directly.

<sup>1</sup> fan failure is defined as being when the current and speed deviate or the operating noises are out of the ordinary

### Cooling capacity performance curves

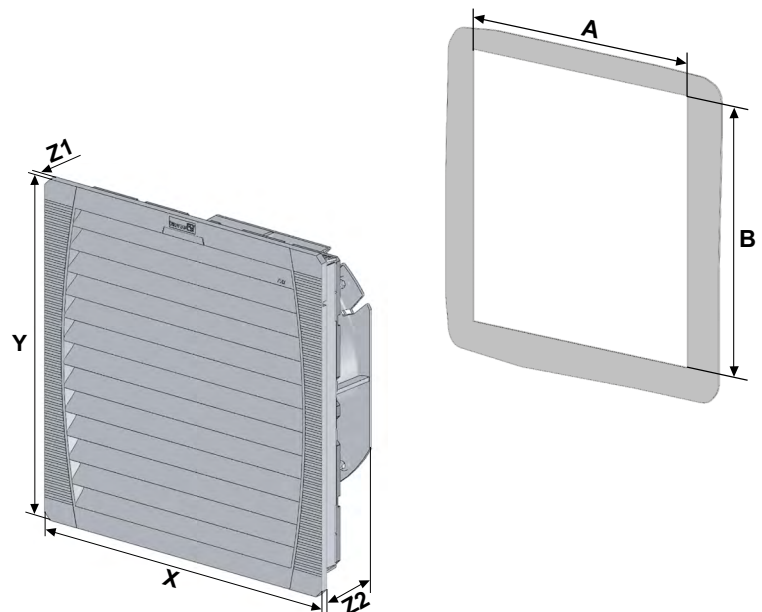


### Static pressure performance curve



### Dimensions

mm	PF 67.000 SL	PFA 60.000
<b>X</b>	320	320
<b>Y</b>	320	320
<b>Z1</b>	7	7
<b>Z2</b>	124	39
<b>A<sup>1</sup></b>	292	292
<b>B<sup>1</sup></b>	292	292



<sup>1</sup> for material thicknesses up to 2 mm  
+ 1 mm for thickness of material > 2 mm ≤ 3 mm